



Lifting Gear Hire

Lifting Equipment Rental Specialists

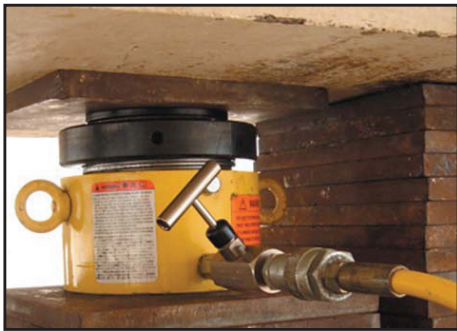
National Rental Center

T: 800.878.7305 | F: 708.430.3536 | www.lgh-usa.com | rentals@lgh-usa.com

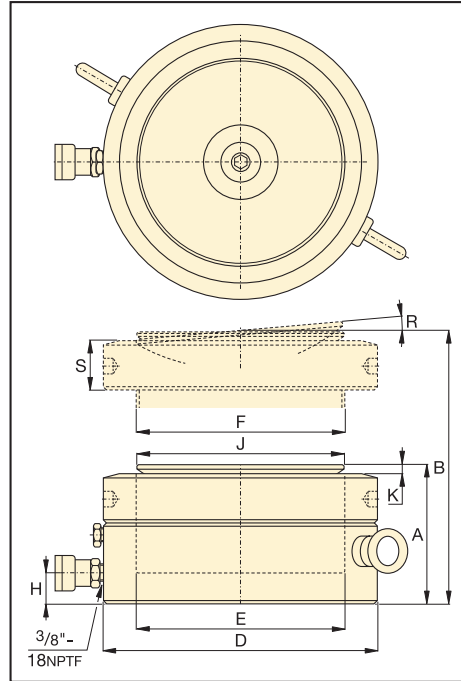
Hydraulic Cylinders

Enerpac – Single-Acting, Load Return, Pancake Lock Nut

CLP Series

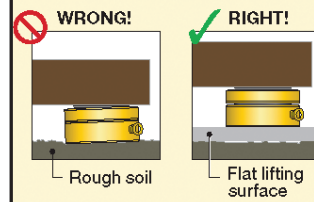


Note: These cylinders have tilt saddles.



ALL CLP-SERIES CYLINDERS REQUIRE A SOLID LIFTING SURFACE FOR CORRECT SUPPORT.

USE OF PANCAKE CYLINDERS ON SURFACES SUCH AS SAND, MUD OR DIRT MAY RESULT IN CYLINDER DAMAGE!



Specifications

Cylinder Cap. Tons (Max)	Stroke (in.)	Model	Cylinder Effective Area (in ²)	Oil Cap. (in ³)	Collapsed Height A (in.)	Extended Height B (in.)	Outside Diameter D (in.)	Cylinder Bore Diameter E (in.)	Plunger Diameter F (mm)	Base to Advance Port H (in.)	Saddle Diameter J (in.)	Saddle Protrusion from Plunger K (in.)	Saddle Max. Tilt Angle R	Lock Nut Height S (in.)	Weight (lbs.)
60 (67.1)	1.97	CLP-602	13.42	26.42	4.92	6.89	5.51	4.13	Tr 104 x 4	.75	3.78	.24	5°	1.10	33
100 (113.7)	1.97	CLP-1002	22.75	44.78	5.39	7.36	6.89	5.38	Tr 136 x 6	.83	4.96	.31	5°	1.22	57
160 (179.2)	1.77	CLP-1602	35.85	63.51	5.83	7.60	8.66	6.76	Tr 171 x 6	1.06	6.30	.35	5°	1.57	97
200 (221.3)	1.77	CLP-2002	44.27	78.43	6.10	7.87	9.65	7.51	Tr 190 x 6	1.18	7.09	.39	5°	1.69	125
250 (284.2)	1.77	CLP-2502	56.85	100.72	6.26	8.03	10.83	8.51	Tr 216 x 6	1.26	7.87	.43	5°	1.73	163
500 (566.2)	1.77	CLP-5002	113.25	200.63	7.56	9.33	15.75	12.01	Tr 305 x 6	1.89	11.42	.39	3°	2.44	416
600*	2	CLP6002D1011D	1327	265	9.89	11.89	16.93	n/a	n/a	2.07	12.20	.45	3°	2.70	630

Key Points:

* This model is a modified, custom-made cylinder by Enerpac.

Green shading reflects rental inventory.

